

## AMP-1502HV Line Amplifier *User's Guide (Rev A)*

AMP-1502HV is an industrial grade audio power amplifier housed in a compact rugged metal enclosure. In addition to providing superb sound quality, this high efficiency low heat class D power amplifier also features thermal and short circuit protection with automatic recovery.

The amplifier is able to drive low voltage 4/8 ohm loads or high voltage 70/100 volt loads. The input loop-through feature allows multiple units to be daisy-chained and driven by the same audio source without the need for signal splitter cables.

### Available Models

AMP-1502HV8 : for low/high voltage mono applications

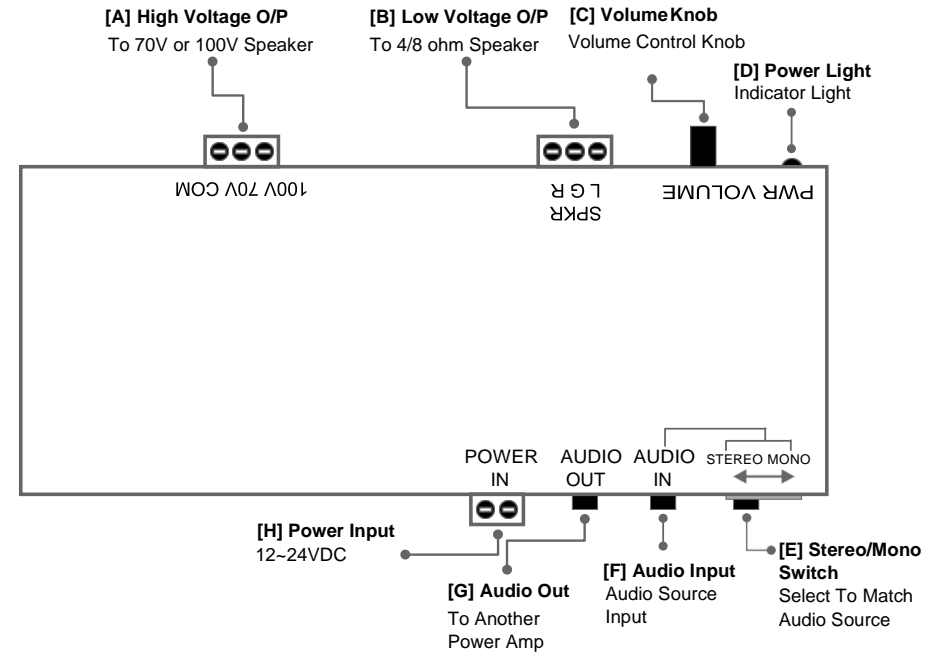
AMP-1502HV4 : for low voltage stereo applications

### Specifications

- High efficiency class D
- Input loop-through for daisy chaining
- Supply voltage: 12 - 24 VDC
- Load type: 4/8Ω or 70/100V
- Output power: 15W x 2 (low voltage stereo) or 30W x 1 (mono)
- Volume control knob
- Thermal and short circuit protection with automatic recovery
- Compact, rugged metal enclosure
- Dimensions: 170mm (W) x 70mm (D) x 63mm (H)

### Packing List

- Amplifier
- Audio Cable
- User's Guide



#### [A] High Voltage O/P

Connect to constant-voltage speakers (70 or 100 volts). The appropriate output terminal should be used to match the voltage of the speakers to be connected.

#### [B] Low Voltage O/P

Connect to 4Ω or 8Ω speaker. Note that an 8Ω speaker should be used (connected to terminals L and R) for BTL mono application.

#### [C] Volume Knob

Turn the knob clockwise to increase the output level.

#### [D] Power Light (PWR)

The power light is turned on when power is applied.

#### [E] Stereo/Mono Switch

Set the switch to match the audio input type.

#### [F] Audio Input

Connect the audio input to this 3.5mm phone jack using the audio cable provided.

#### [G] Audio Output

Daisy-Chain to another power amp if desired.

#### [H] Power Input

Connect the power supply's positive to the + terminal, and the negative to the - terminal. For best audio quality, use a well regulated power supply with adequate output power.