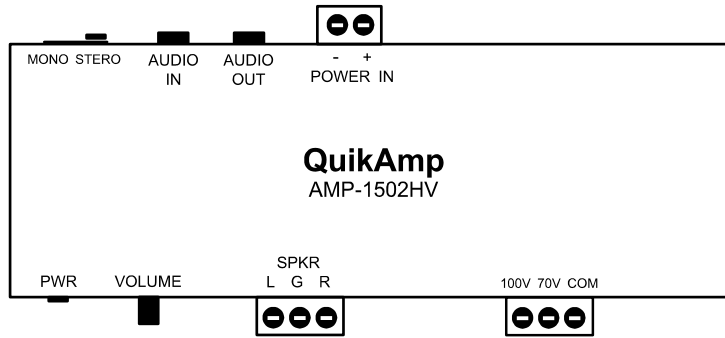


QuikAmp AMP-1502HV Audio Amplifier

User's Guide (Rev A)

QuikAmp AMP-1502HV is an industrial grade audio amplifier module capable of driving both low and high voltage loads. In addition to providing superb sound quality, this class D amplifier is also highly efficient and generates little heat, making additional cooling unnecessary in most cases.



MONO STEREO

Slide this switch to the proper position according to the input type. For MONO, the output is BTL (Bridge Tie Load). For STEREO, the output is single ended.

AUDIO IN

3.5mm jack for audio input.

AUDIO OUT

3.5mm jack for audio input loop-through - can be used to drive additional power amps.

POWER IN

3.5mm screw terminals for the supply voltage.

PWR

Power indicator light.

VOLUME

Speaker volume knob, does not affect AUDIO OUT.

SPKR L/G/R

3.5mm screw terminals for low voltage loads (4~8 Ohm) .

For mono use L and R terminals.

For stereo use L and G for the left channel, R and G for the right channel.

100V 70V COM

3.5mm screw terminals for high voltage loads.

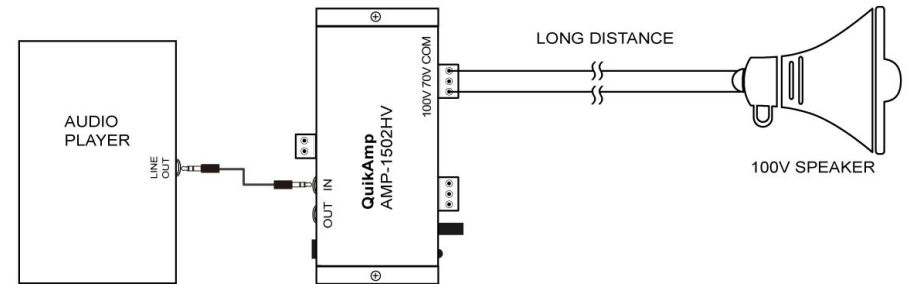
For 100V use 100V and COM terminals.

For 70V use 70V and COM terminals.

Features/Specifications

- Super cool class D amplifier
- Able to drive both low (4~8 Ohm) and high (70/100V) voltage loads
- Thermal and short circuit protection with automatic recovery
- Audio loop-through for driving multiple amplifiers
- Continuous output power: 15W x 2 (stereo) or 55W (mono/BTL)
- Supply voltage: 12 ~ 24 VDC
- Physical dimens: 170mm x 70mm x 62mm

Application Example - Single Amplifier



Application Example - Multiple Amplifiers

